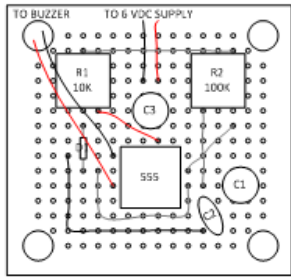


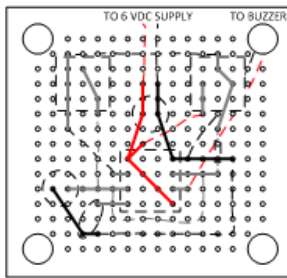
LIST OF MATERIAL			
ITEM	QTY.	PART NO.	DESCRIPTION
S1	1	RS 276-148	PROTOTYPING BOARD, SEE GEN NOTE 2
L1	1	890091	555 TIMER, NE555N
C1, C3	1	93761	CAPACITOR, ELECTROLYTIC, 10/PK
C2	1	15231	CAPACITOR, CERAMIC, 10/PK
D1	1	36038	DIODE, 1N4148, 10/PK
R1	1	43001	POTENTIOMETER, TRIM, 10 KΩ
R2	1	43027	POTENTIOMETER, TRIM, 100 KΩ
RED	1	2152905	WIRE, 22 AWG, RED, 25 FT
BLK	1	2152876	WIRE, 22 AWG, BLACK, 25 FT
WHT	1	2153553	WIRE, 22 AWG, WHITE, 25 FT
V1	1	216152	4 X AA BATTERY HOLDER (6 VDC)
B1	1	76065	BUZZER, ELECTROMECHANICAL

GENERAL NOTES

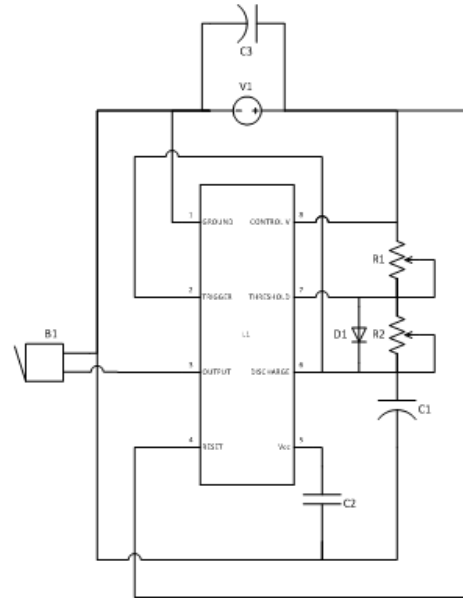
- UNLESS OTHERWISE NOTED, ALL LISTED PARTS ARE PROVIDED WITH JAMECO PART NUMBERS.
- PART NUMBER IS FOR RADIO SHACK MODEL 276-148, CATALOG # 2760148, "DUAL MINI BOARD WITH 213 HOLES". EXAMPLE USES HALF OF THE MINI BOARD. SUBSTITUTE WITH GENERAL PURPOSE PROTOTYPING BOARDS WITH PLATED-THROUGH HOLE PADS AND ONE PAD PER HOLE.
- BOTTOM VIEW IS THE FLIP-SIDE OF THE PROTOTYPING BOARD; THEREFORE, COMPONENTS APPEAR MIRRORED FROM THE TOP VIEW (F-5) FOR EASE OF SOLDERING.



TOP VIEW (F-5)
PROTOTYPING BOARD EXAMPLE
SCALE: 1:1



BOTTOM VIEW (C-5)
PROTOTYPING BOARD EXAMPLE
SCALE: 1:1, SEE GEN NOTE 3



ELECTRICAL SCHEMATIC (C-3)
UNDERWATER PINGER
SCALE: N/A

					10 TH ANNUAL GREATER PHILADELPHIA SEAPERCH CHALLENGE PHILADELPHIA, PA U.S.A.		INTERNAL ELECTRONICS, SIGNAL EMITTING OBJECT								
-		INITIAL RELEASE	12 MAR 2015	JEM	DRAWN	JEM	12 MAR 2015	SIZE	B	FSCM NO	-	DWG NO	2015-001	REV	-
REV.		DESCRIPTION	DATE	BY	APPROVED	SMM	12 MAR 2015	SCALE	AS SHOWN		SHEET		1 OF 1		